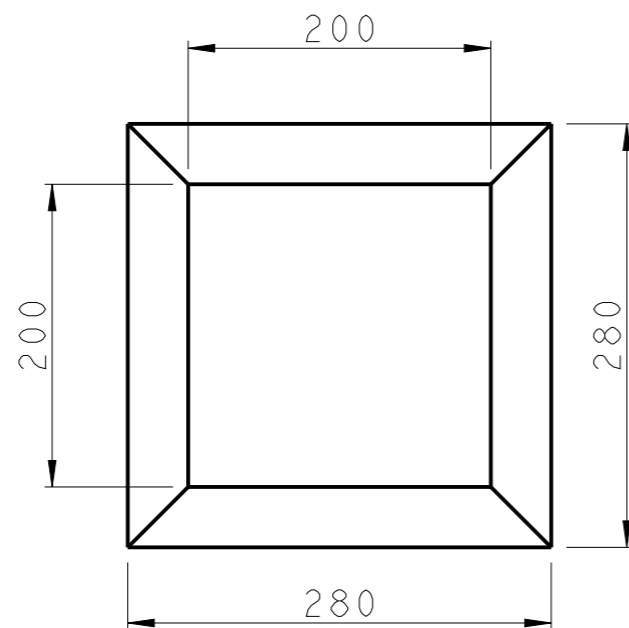
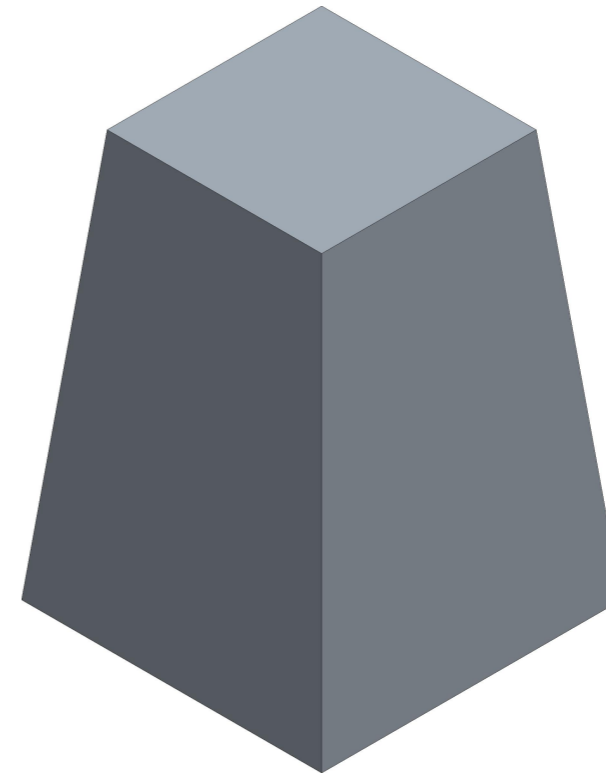
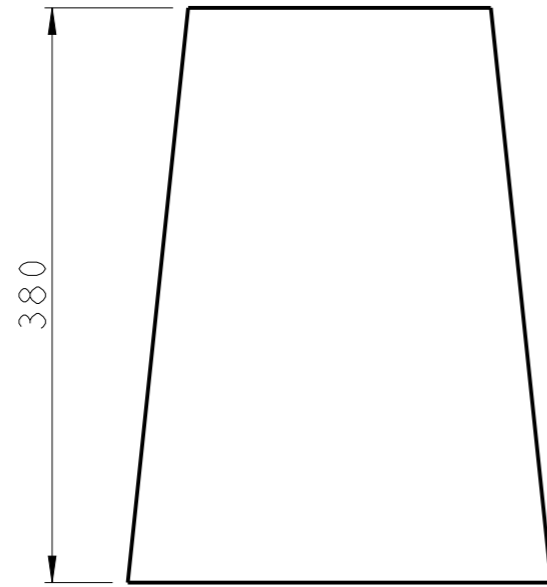



NOTE: 1. ALLUMINIUM PLATE  
 100 x 100 AVAILABLE  
 (PLAIN OR ENGRAVED)



TITLE: CABLE MARKER (ESKOM SPEC)			 1ST ANGLE PROJECTION	
DRAWN	DATE	MASS	SCALE	REV.
AH		56.579	DO NOT SCALE	0
MATERIAL: 35 MPa CONCRETE				A3