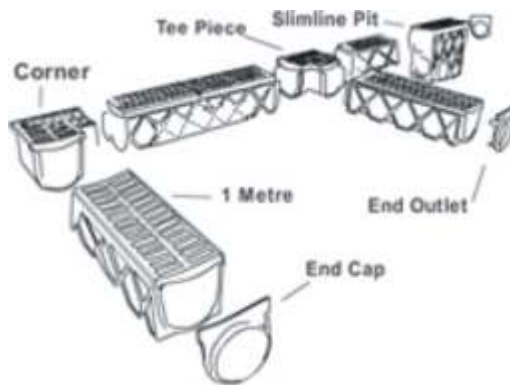


- The Channel that saves your Garage from Flooding
- Modular 1m lengths, Easy to install, Imported from Australia

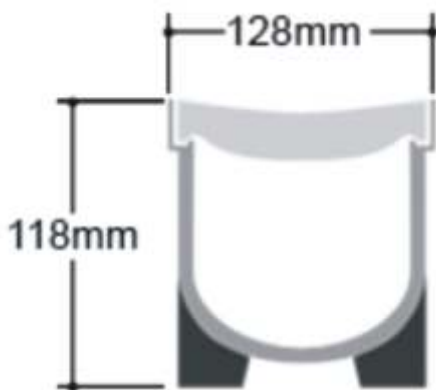


## Features & Benefits



- StormDrain Channel & Grate is supplied in 3 x 1m lengths
- Range of colours
- Perfect for Garages on the low end of the driveway, around pools, and paving
- Withstands 5 tonne vehicle
- Bottom or 110mm end outlet
- Imported from Australia
- 10 year guarantee

## Product Description



- Rainwater Channel & Grate supplied in 3 x 1m modular lengths
- Black Channel with Grate in four colours:- Black, Grey, Sandstone & Terracotta
- 90 degree Corners, Tee's & Slimline Pit also available
- Anti-floatation Ribs built into Channel
- 3m Garage Pack ideal for garage threshold includes Stop Ends & optional 110mm end outlet

## Architects Specification

- Provide StormDrain Channel and Grate
- Set into concrete at threshold to Garage, allow 3mm fall per 1m length
- Specify Colour
- Set in flush with paving, slope paving towards StormDrain, connect to underground 110mm pvc drain pipe



See Installation Video on [www.reln.com.au](http://www.reln.com.au)

## StormDrain 3m Garage Pack



**Garage Pack**



**4 Colours**

3m Garage Pack includes 2 free stop ends and an optional end outlet

Black	097760
Grey	097761
Sandstone	097762
Terracotta	097763

## StormDrain Components



Stop End	Black	033118
----------	-------	--------



110mm End Outlet	Black	033116
------------------	-------	--------



90 degree Corner	Black	097764
90 degree Corner	Grey	097765
90 degree Corner	Sandstone	097766
90 degree Corner	Terracotta	097767



Tee Piece	Black	097770
Tee Piece	Grey	097771
Tee Piece	Sandstone	097772
Tee Piece	Terracotta	097773



Slimline Pit	Black	097732
Slimline Pit	Grey	097733
Slimline Pit	Sandstone	097734
Slimline Pit	Terracotta	097735